

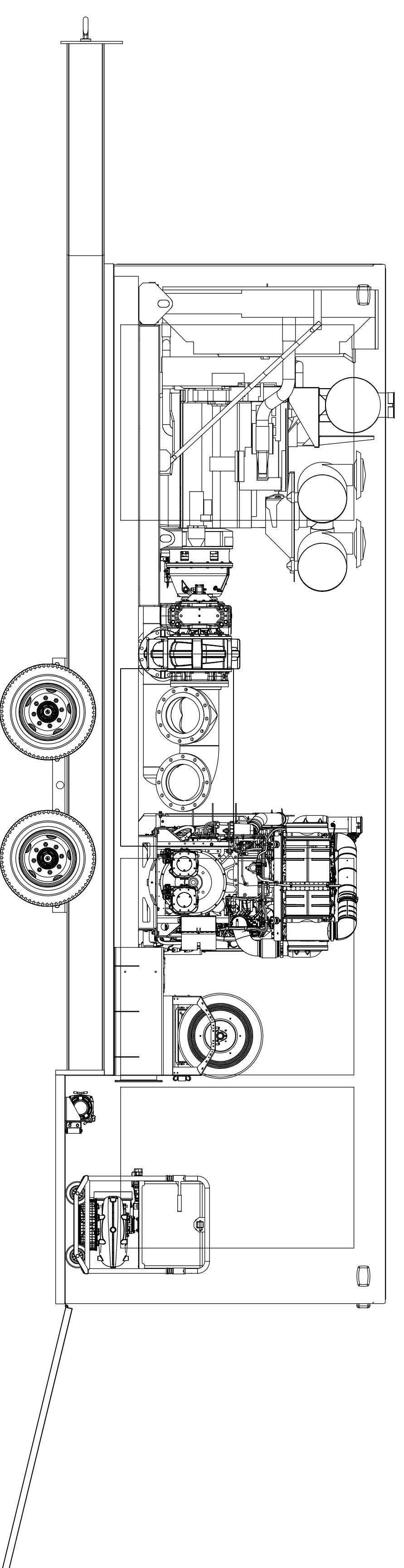
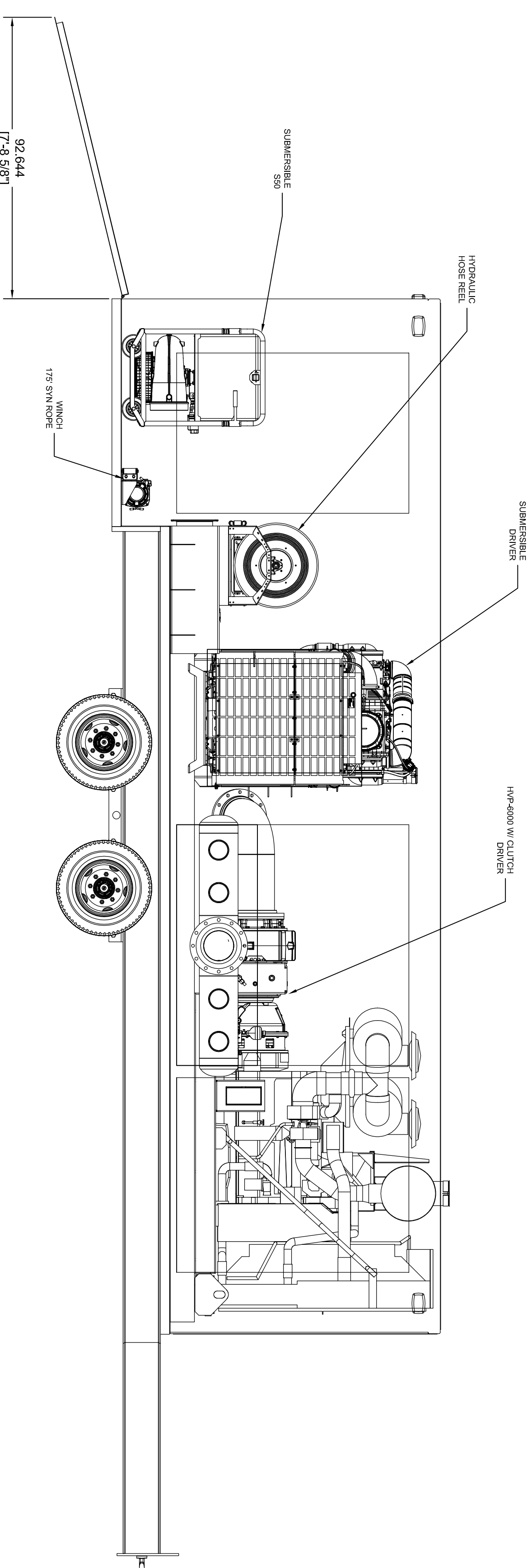
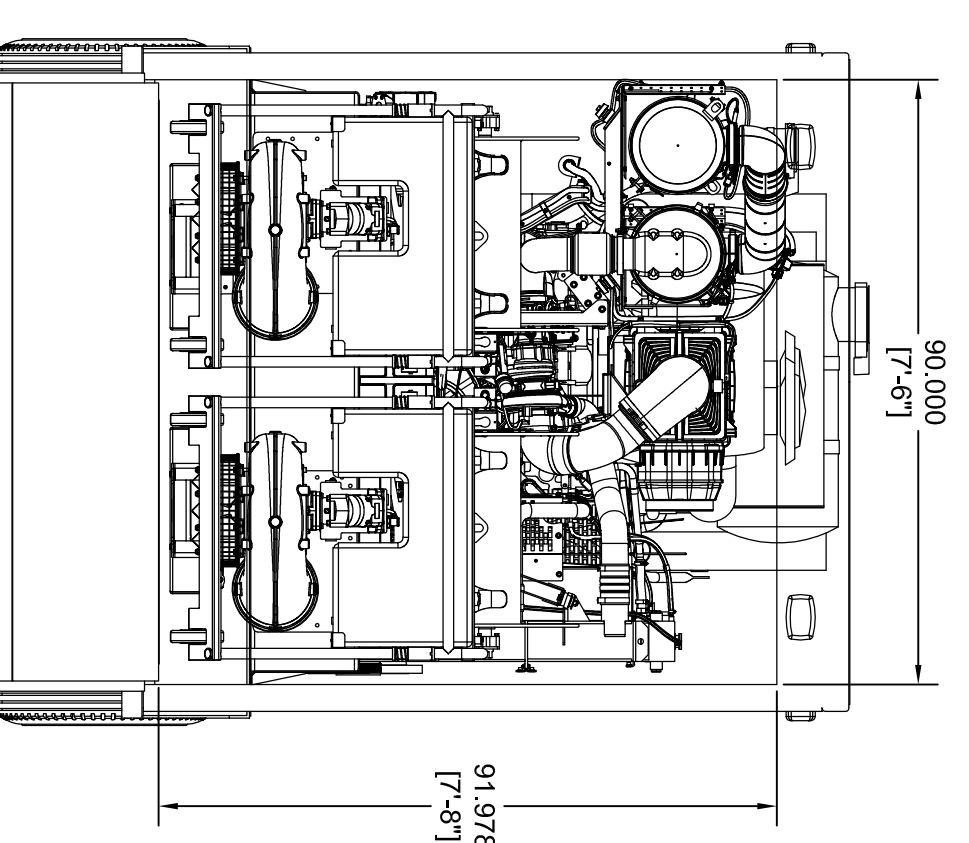
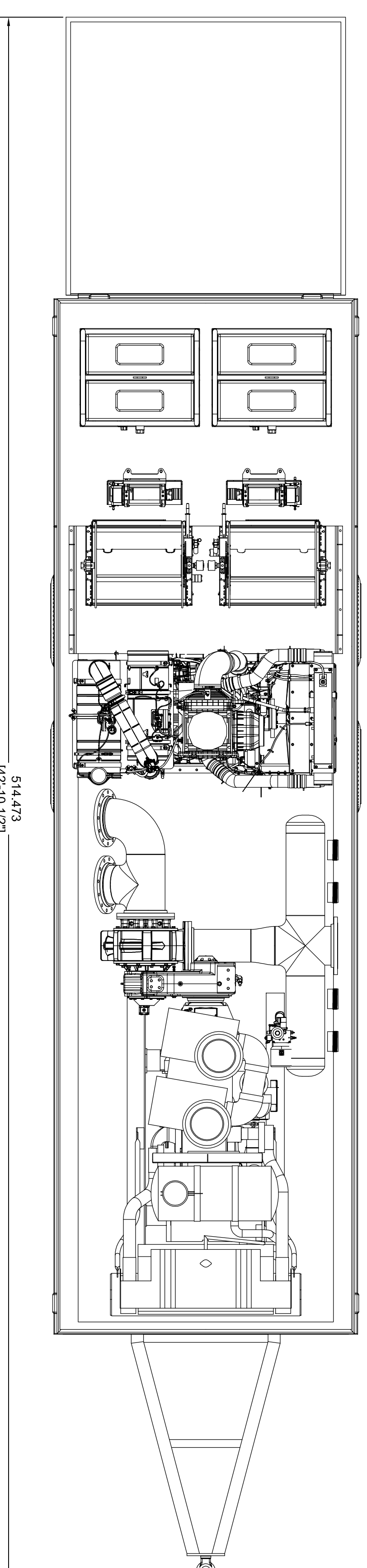
REV. NO.	DESCRIPTION TO REVISION	REV. BY	DATE

CUSTOMER	
PROJECT	
SUPER SUB 8000 HVP-8000 PUMP / DUAL S50 SUB	

DATE	25 JUL 2018
CHECKED PROPOSAL	APPROVED PROPOSAL
CLIENT APPROVED	ENGINEER APPROVED



DRAWN BY:	REN	SCALE:	N/A	AI REFERENCE TO:	N/A	DWG. No.	900-1027-00-0	REV.	-
-----------	-----	--------	-----	------------------	-----	----------	---------------	------	---



REV. NO.	DESCRIPTION TO REVISION	REV. BY	DATE

CUSTOMER	
PROJECT	

CUSTOMER  
PROJECT

SUPER SUB 8000  
HVP-6000 PUMP / DUAL S50 SUB



DATE	25 JULY 18
CHECKED PROPOSAL	APPROVED PROPOSAL
CLIENT APPROVED	ENGINEER APPROVED

DRAWN BY	REN	SCALE	N/A	AI	REFERENCE TO		DWG. No.	900-1027-400-0	REV	
----------	-----	-------	-----	----	--------------	--	----------	----------------	-----	--